

# Farenhyt

## IFP-1000 Intelligent Fire Panel

The IFP-1000 is an intelligent analog/addressable fire control panel. The basic IFP-1000 system has a single SLC loop, which can support 127 SLC devices, and can be expanded to 1016 points by adding 5815XL (127 points each) Signalling Line Circuit Expanders. The IFP-1000 has six on-board Flexput™ circuits that can be configured for notification outputs, or for conventional smoke detector (either Class A or Class B) inputs. The control panel also has a built-in dual line digital fire communicator, Form C trouble relay, and two programmable Form C relays. The firmware has powerful features such as detector sensitivity, day/night thresholds, drift compensation and pre-trouble maintenance alert.

Other devices that can be added to the system are the RA-1000 Remote Annunciator, the Model 5824 Serial/Parallel Interface (for printing system reports), and the RPS-1000 Intelligent Power Module.

### Features

- Built-in support for 127 analog addressable points, expandable to 1016 analog addressable points.
- Uses standard wire—no shielded or twisted pair required.
- Built-in UL listed digital communicator for remote reporting of system activity and system programming.
- Central station reporting by Point or by Zone.
- Supports Class B (Style 4) and Class A (Style 6) configuration for SLC, and SBUS.
- Distributed, intelligent power.
- Sensor sensitivity settings.
- Day/Night sensitivity setting.
- Automatic drift compensation.
- Flexput™ I/O circuits. Flexput circuits can be configured for notification outputs, or conventional smoke detector inputs. Notification circuits can be configured as Class A (Style Z) or Class B (Style Y). 2- and 4-wire smoke detectors can be configured as Class A (Style D) or Class B (Style B).
- Built-in annunciator with a backlit 80-character LCD display.
- RS-485 bus provides communication to system accessories.
- Built-in RS-232 interface for programming via PC.
- Built-in Form C trouble relay rated at 2.5 amps at 24 VDC.
- Two built-in Form C programmable relays rated at 2.5 amps at 24 VDC.
- Individual addressable devices can be tested.
- SLC device locator can be used to locate a single or multiple devices on a SLC loop.
- System automatically tests the addressable devices.
- 13 preset notification cadence patterns including ANSI 3.41 and four user programmable patterns.

Analog/Addressable Fire Alarm Control System



MEA

429-92-E Vol. 9



- Jumpstart® auto-programming.
- Modular design.
- System can be uploaded or downloaded on site or from a remote location with a PC.
- Non volatile event history stores up to 1000 events.
- 125 Software zones.
- 250 output groups.
- 5 amp power supply and maximum charging capacity of 33 amp hours. (An additional cabinet enclosure is required for batteries in excess of 17 amp hours.)
- SLC Supports multiple Device types. (See compatible addressable devices.) Any combination of addressable devices can be used on a single SLC loop (up to a 127 devices)



**SILENT  
KNIGHT**

7550 Meridian Circle  
Maple Grove, Mn 55369-4927  
612-493-6455  
1-800-328-0103  
Fax: 612-493-7475  
<http://www.farenhyt.com>

P/N 350093E, 09/13/01  
Copyright © 2001 Silent Knight  
Flexput™ is a Trademark of Silent Knight  
Jumpstart® is a Register Trademark of  
Silent Knight

## Built-in Digital Communicator Operation

The communicator has the ability to seize two telephone lines to report alarms and troubles to a monitoring facility. Both phone lines are supervised and will activate a trouble signal if a line failure is sustained for more than 45 seconds. Other communication features include:

- Retry if communication fails
- Dual phone line capability
- programmable download computer number
- touchtone or rotary dialing
- Can communicate in SIA or Ademco Contact ID.
- The communication format is programmable by account number. (Up to 4 accounts per panel.)

## Accessory Product Information

The 485 SBUS is a 4-wire data communication link between the IFP-1000 and the devices listed below. The 485 SBUS uses non-shielded wire up to 6,000 feet in length.

**RA-1000 Remote Annunciator**—Has an 80 character backlit LCD display with a built-in keypad and firefighter's keyswitch. (Same as the IFP-1000 control panel annunciator.) The system can be fully programmed and operated from any remote annunciator. The IFP-1000 can support up to 8 RA-1000 remote annunciators per system.

**5815XL Signal Line Circuit Expander**—The SLC expander is used to add more analog addressable devices to the system. The IFP-1000 can support seven 5815XLs. Up to seven 5815XLs can be used with the IFP-1000 system for a maximum of 1016 addressable devices. Each SLC expander can support 127 devices. Two 5815XLs can be mounted inside the IFP-1000 or the RPS-1000 cabinet.

**RPS-1000 Intelligent Power Module**—Adds 5 amps of output power, six programmable Flexput™ I/O circuits and 2 Form C relay circuits to an IFP-1000 system. The RPS-1000 connects to the IFP-1000 via the RS-485 system bus. Up to eight RPS-1000 modules can be used on the IFP-1000's SBUS. Each RPS-1000 has its own optically isolated RS-485 bus to which other modules such as RA-1000s, 5815XLs, and 5824s can be connected.

**5496 Intelligent Power Module**—The Model 5496 is a 6 amp notification power expander that provides four additional power-limited notification appliance circuit outputs.

**5824 Serial Parallel Module**—The 5824 is a serial/parallel interface that is used to connect a serial or parallel computer printer to the IFP-1000 control panel via the RS-485 system bus. Up to two 5824 can be used with a system. The 5824 can be configured to log events as they occur; print and event history report; print a status report of all detectors in the system. If the printer runs out of paper a "Out of paper" system trouble will annunciate at the control panel.

**5880 LED/Input-Output Module**—The 5880 provides 40 programmable LED outputs and eight supervised dry contact inputs. Up to eight 5880 modules can be used on the IFP-1000's SBUS. The 40 LED outputs can be mapped to any zone or panel condition. The eight supervised dry contact inputs can be used for fire pull stations or reset switches. The LED outputs have built-in current limiting resistors.

**5865-3 and 5865-4 LED Fire Annunciators**—The 5865 series annunciators provide a visual indication of the current state of the zone inputs on the control panel. Up to 8 Model 5865s can be used on the IFP-1000's SBUS. Each 5865 has 30 programmable LED outputs—15 red and 15 yellow. The 5865s come with a piezo sounder which gives an audible indication during alarms, troubles and supervisory troubles.

**5883**—The 5883 Relay Interface Board provides 10 general purpose Form C relays that can be used to control any device that requires a dry contact closure.

**5650 Download Software**—User-friendly software for remote programming of the IFP-1000. The software is compatible with Window™ 95, Windows™ 98, and Windows™ NT.

**5670 Intelliview Facility Management Software**—End-user software allows viewing of detector status and event history via modem or direct connect.



## Compatible Addressable Devices

Each addressable device communicates to the control panel via the Signaling Line Circuit loop (SLC loop) using a two wire connection. Shielded or twisted wire is **not** required. Up to 127 addressable devices can communicate with the control panel on a single SLC loop. Any combination of addressable devices can be used on a single SLC loop.

**SD505-APS**—Analog addressable photoelectric smoke detector.

**SD505-AIS**—Analog addressable ionization smoke detector.

**SD505-AHS**—Analog addressable heat sensor.

**SD505-6AB**—Six inch base designed for use with detector head models SD505-APS, SD505-AIS, and SD505-AHS.

**SD505-4AB**—Four inch base designed for use with detector head models SD505-APS, SD505-AIS, and SD505-AHS.

**SD505-6IB**—6 inch isolator base. The SD505-6IB isolates a short circuit wiring fault on a Style 7 (Class A) SLC loop.

**SD505-6RB**—6 inch relay base. The SD505-6RB adds a programmable relay output to any detector on the SLC Loop.

**SD505-6SB**—6 inch sounder base adds an audible output function to Fahrenheit analog addressable detectors.

**SD505-SDM**—Two-wire smoke detector module allows you to assign an address to a loop of conventional detection devices.

**SD500-PS**—The SD500-PS is a single action addressable fire pull station featuring rugged metal construction.

**SD505-ADHR/DTS**—The SD505-ADHR analog addressable duct smoke detector with built-in relay module detects products of combustion present in air moving through an HVAC system. The SD505-ADHR is compatible with the SD505-DTS, which provides remote annunciation and testing capabilities for the SD505-ADHR.

**SD505-ADH**—Analog addressable duct housing. Unit ships with an attached detector base which is compatible with the SD505-AIS or SD505-APS smoke detectors. (Detector and sampling tubes ordered separately.)

**SD500-AIM**—Addressable input module used to connect pull stations, water flow switches, and other applications requiring dry contact alarm initiation devices. The module is a Class B supervised, single input contact monitoring device. The AIM mounts into a 4" square electrical box.

**SD500-MIM**—Mini Addressable input module used to connect pull stations, water flow switches, and other applications requiring dry contact alarm initiation devices. The module is a Class B supervised, single input contact monitoring device. The MIM mounts into a single gang electrical box.

**SD500-ARM**—Addressable Relay Module allows you to control a normally open or closed device such as; elevator recall, door closing, fan operations, and auxiliary notification. Relay can be mapped to any zone condition. The ARM has two Form C contacts and mount into a 4" square electrical box.

**SD500-ANM**—Addressable Notification Module. The SD500-ANM is an supervised addressable notification device that provides an additional circuit on the IFP-1000 SLC loop. Power is provided from a separate power supply and is controlled by the main control panel. The SD500-ANM can be programmed to use any of the IFP-1000 notification patterns.

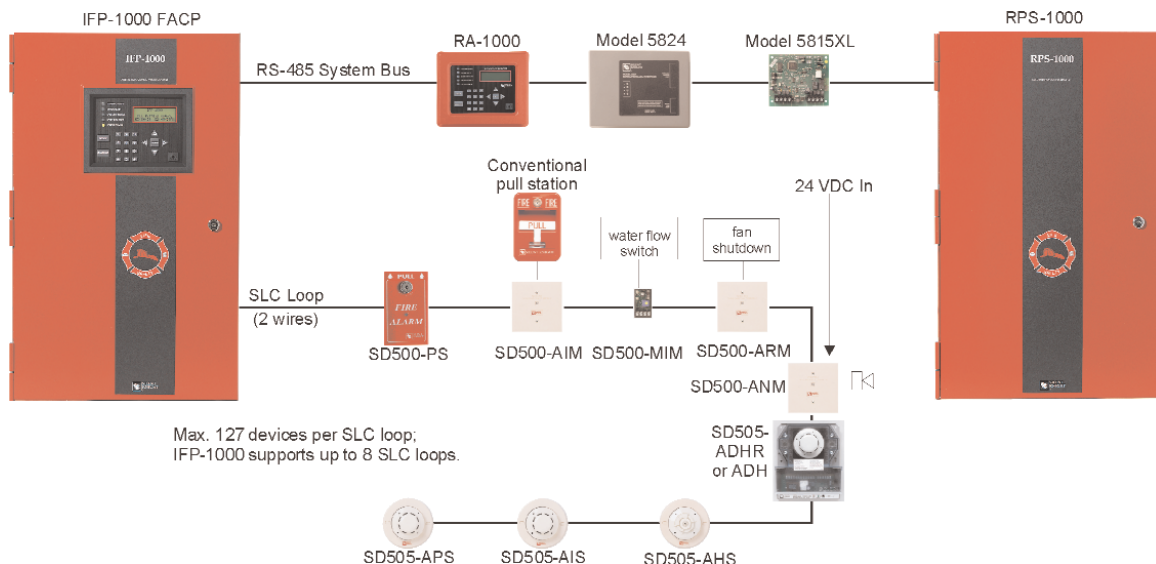
**SD500-LIM**—Addressable Line isolator module that isolates a short circuit wiring fault on a Style 7 (Class A) SLC loop.

**SD500-LED**—An Addressable LED driver module that connects to the SLC loop and is capable of driving 80 LEDs. Up to 40 SD500-LED modules can be used SLC loop with a maximum of 100 SD500-LED modules per system.

## Miscellaneous Accessories

**AB-33 Accessory Cabinet**—Used when your backup battery requirements use backup batteries that are too large to fit into the IFP-1000 control panel cabinet. Hold up to two 12 VDC 33 Ah batteries. The IFP-1000 has a charging capacity to support up to a 33 Ah battery. The AB-33 dimensions are 16" W x 12" H x 6" D (40.64 cm W x 30.48 cm H x 15.24 cm D).





## Specifications

### Electrical Specifications

Primary AC:	230* / 120 VRMS @ 50 / 60 hz, 2.5A
Total Accessory Load:	5 A @ 24 VDC
5 Amps @ 24 VDC of power-limited notification power	
Standby Current:	140 mA
Alarm Current:	260 mA
Battery Charging Capacity:	Up to 33 Ah
*Order high voltage power supply version IFP-1000HV	

### Flexput™ Circuits

Six programmable circuits which can be programmed individually as:

Notification Circuits: 3 amps of power-limited power per circuit at 24 VDC.

Auxiliary Power Circuits: 3 amps of power-limited power per circuit at 24 VDC.

Initiation Circuit: 100 mA of power-limited power per circuit at 24 VDC.

### Approvals

UL Listing	Central Station
NFPA 72	Remote Signalling
	Local Protective Signalling Systems
	Auxiliary Protected Premises Unit
CSFM	7165-0559: 135
MEA	429-92-E Vol. 9

FM Approved

### Indicator Lights

General Alarm (Red)	On for alarms
Supervisory (Yellow)	On when a supervisory condition exists

System Troubles (Yellow)

On when a trouble condition exists

System Silenced (Yellow)

On when an alarm, trouble or supervisory condition has been silenced but not yet cleared

System Power (Green)

On when power systems are normal; flashes for AC or DC failure

### Mechanical Specifications

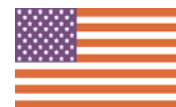
Flush Mount	
Dimensions:	14-1/2"W x 24-3/4"H x 3-7/8"D (36.8 W x 62.9 H x 9.8 D cm)
Overall Dimensions:	16-1/8"W x 26-3/8"H x 4-1/8"D (40.6 W x 67 H x 11.8 D cm)
Weight:	28 lbs. (12.8 kg)
Color:	Red
Telephone Requirements:	FCC Part 15 and Part 68 approved
Type of Jack:	RJ31X (two required)



**SILENT  
KNIGHT**

7550 Meridian Circle, Maple Grove, MN 55369-4927  
1-800-446-6444 or in Minnesota 763-493-6435  
FAX: 763-493-6475

World Wide Web: <http://www.farenhyt.com>



Made in the U.S.A.